

ST100041MTL INCLUSIVE THERMOSTATIC SHOWER SET (A)

Metlex

PROFESSIONAL BATHROOM AND
WASHROOM ACCESSORIES



Finish: Chrome plated & White.

Features

- Assistive showering set with thermostatic mixer.
- Twin-stop safety device, comfort at 38°C with maximum hot temperature of 46°C.
- Safecool technology - Cold water insulates the mixer body making it cool to the touch.
- Four function handset with rub clean nozzles and an optional 'eco' feature.
- 600mm Chrome plated stainless steel grab bar with concealed fixings.
- 2000mm hose with 11mm bore allows showering whilst in a seated position.
- Suitable for users upto 100kg (tested to 150kg).
- Simple lever operated controls and easy-press button operated slider.
- Simple fast fix 15mm inlet connections.

Performance Standards

- BS EN 1111 Sanitary tapware - Thermostatic mixing valves (PN 10) - General technical specification.
- 3 Year Manufacturing Guarantee on Shower Kit.
- 5 Year Manufacturing Guarantee on Mixer Valve.
- Meets performance requirements for Service condition 3.

Frequently Used Applications

Commercial washrooms, hotels, domestic & care homes.

Care and Maintenance

Clean surfaces with a damp cloth and wipe dry using a soft cloth. Do not use chemical or abrasive cleaners as these may damage the surface finish.

Specification

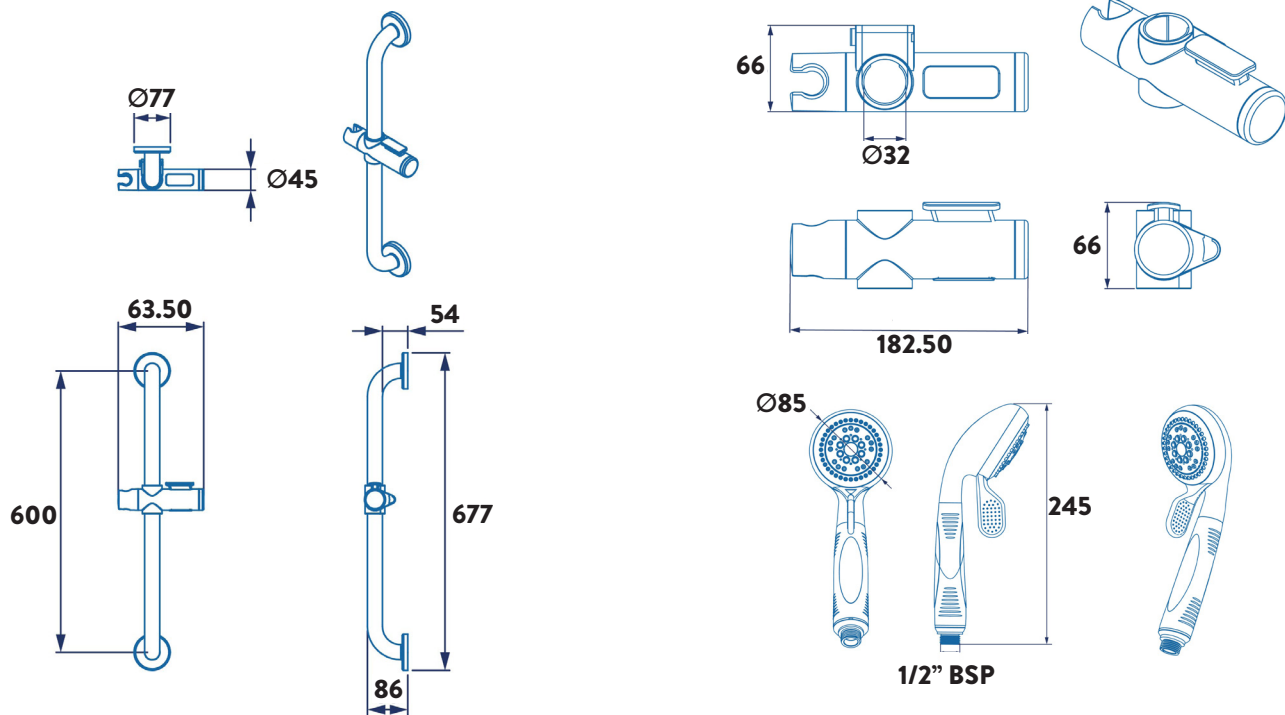
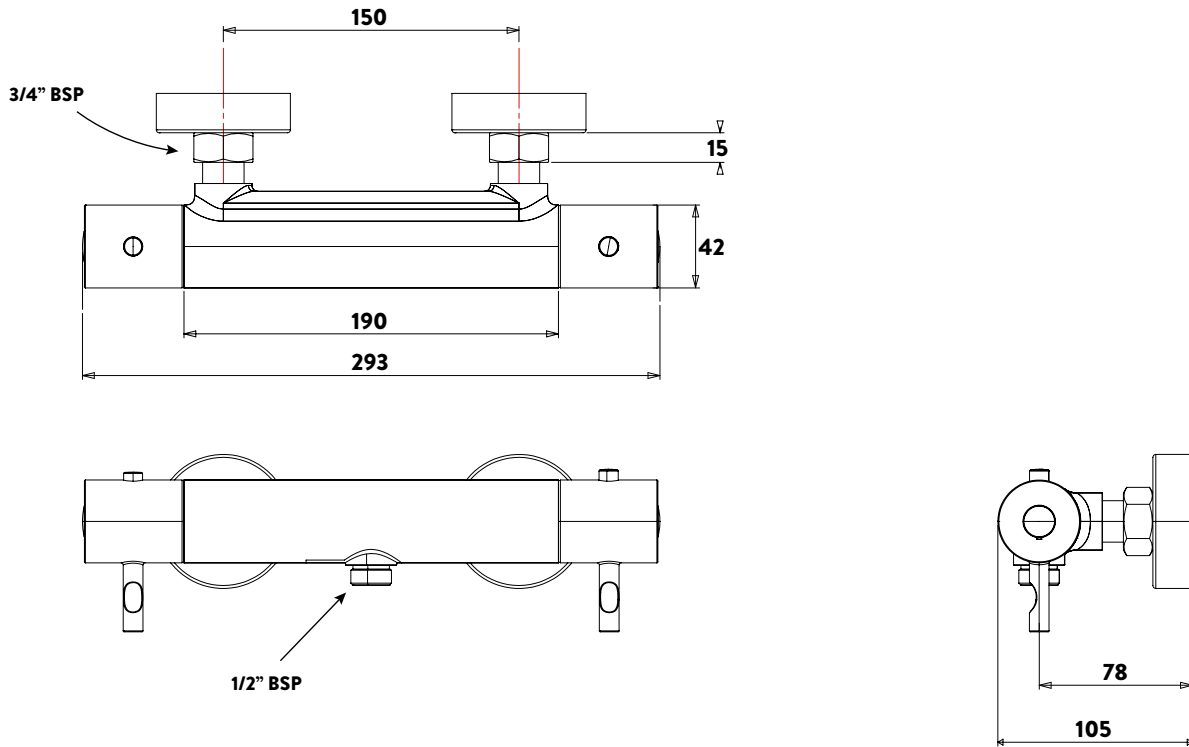
Materials	ABS, Brass, Zinc, Thermoplastic Rubber, Grade 201 & 304 Stainless Steel
Connection Inlet Type	15mm Compression - 150mm Spacing
Connection Outlet Type	Single Outlet, G 1/2" BSP
Dual Control	Thermostatic Temperature Control, Quarter-Turn Flow Control
Minimum Dynamic Pressure (Bar)	0.1 Bar
Maximum Dynamic Pressure (Bar)	5 Bar
Maximum Static Pressure (Bar)	10 Bar
Maximum Pressure Differential (Hot or Cold)	5:1
Maximum Inlet Temperature (Hot)	65°C
Maximum Inlet Temperature (Cold)	5°C
Pre-set Comfort Safety Stop Temperature	38°C(±2°C)
Maximum Safe Hot Water Temp (With Temp Limiting Device Installed)	46°C(±2°C)
Inlet Filter Washers (Replaceable)	Yes
Inlet Check Valves/Non-Return Valves (Single Valve)	Yes
European Water Label	5.51 litres/min

Printed material, designs and packaging are protected by copyright and design rights.

ST100041MTL
INCLUSIVE THERMOSTATIC SHOWER SET (A)

Metlex

PROFESSIONAL BATHROOM AND
 WASHROOM ACCESSORIES



Printed material, designs and packaging are protected by copyright and design rights.