

QA107305MTL
5 LITRE PEDAL BIN

Metlex

PROFESSIONAL BATHROOM AND
WASHROOM ACCESSORIES



MATERIAL

Stainless Steel
PP

FINISH / COLOUR

Chrome Plated

FREQUENTLY USED APPLICATIONS

Commercial Washrooms
Hotels
Domestic Dwellings
Care Homes

FEATURES

Removable Polypropylene Inner Bin.
Easy To Clean.

PERFORMANCE STANDARDS

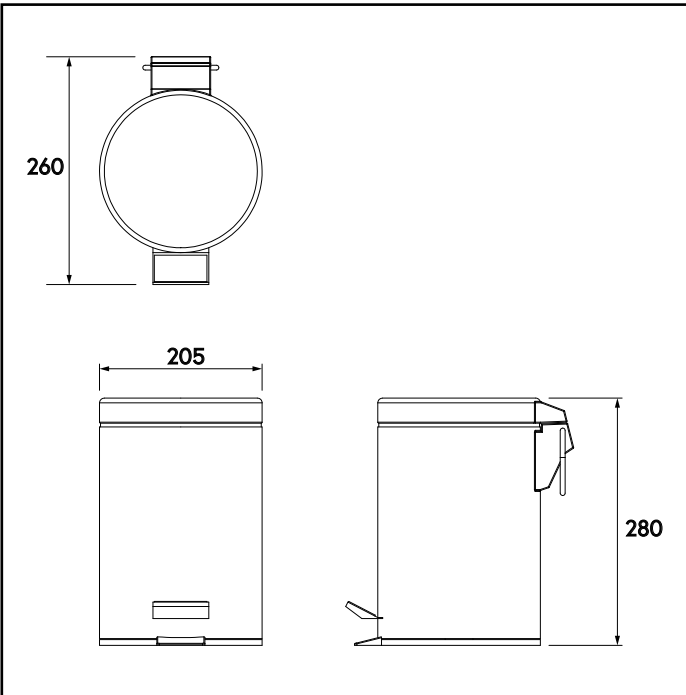
Meets Performance Requirements Of Service
Condition 2.
BS EN ISO 9221:2017 - Corrosion Resistant
(NSS 48hr Salt Spray, Min. Grade9)

CARE AND MAINTENANCE

Clean Surfaces With A Damp Cloth and Wipe Dry
Using A Soft Cloth.
Do Not Use Chemical or Abrasive Cleaners As
These May Damage The Surface Finish.

GUARANTEE

Consumer Statutory Rights Apply.
2 Year Manufacturing Guarantee.



Printed material, designs and packaging are protected by copyright and design rights.