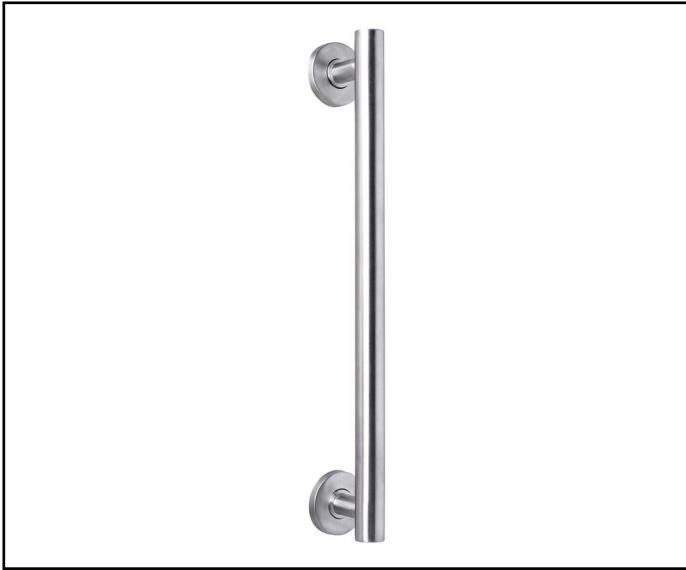


**Callisto**  
**AP576343MTL**  
**600MM STAINLESS STEEL GRAB RAIL**

**Metlex**

PROFESSIONAL BATHROOM AND  
WASHROOM ACCESSORIES



**MATERIAL**

304 Stainless Steel Construct

**FINISH / COLOUR**

Brushed Stainless Steel

**FREQUENTLY USED APPLICATIONS**

Commercial Washrooms  
Hotels  
Domestic Dwellings  
Care Homes

**FEATURES**

Clean, Simple Design.  
Provides Confidence and Stability.  
35mm Diameter For Secure Grip.  
Concealed Fixings.  
Fixings Not Included.

**PERFORMANCE STANDARDS**

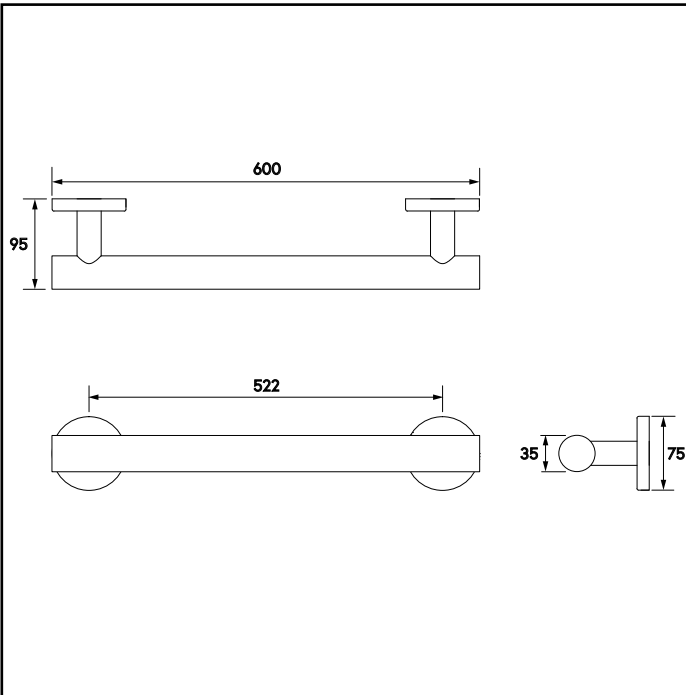
Meets Performance Requirements Of Service Condition 3.  
BS EN ISO 9221:2017 - Corrosion Resistant (NSS 96hr Salt Spray, Min. Grade9).  
BS EN 12182:2012 - Suitable For Users Up To 100kg When Fitted To A Solid Wall. Tested To 150kg.

**CARE AND MAINTENANCE**

Clean Surfaces With A Damp Cloth and Wipe Dry Using A Soft Cloth.  
Do Not Use Chemical or Abrasive Cleaners As These May Damage The Surface Finish.

**GUARANTEE**

Consumer Statutory Rights Apply.  
12 Year Manufacturing Guarantee.



Printed material, designs and packaging are protected by copyright and design rights.