

AP500541MTL

300MM STAINLESS STEEL GRAB RAIL WITH ANTI-SLIP

Metlex

PROFESSIONAL BATHROOM AND
WASHROOM ACCESSORIES



MATERIAL

Stainless Steel Construct

FINISH / COLOUR

Chrome Plated.

FREQUENTLY USED APPLICATIONS

Commercial Washrooms

Hotels

Domestic Dwellings

Care Homes

FEATURES

Suitable For Use Outdoors and All Indoor Locations.

Additional Anti-Slip Grip Feature.

Provides Confidence and Stability.

32mm Diameter For Secure Grip.

Concealed Fixings.

Fixings Not Included.

PERFORMANCE STANDARDS

Meets Performance Requirements Of Service Condition 3.

BS EN ISO 9221:2017 - Corrosion Resistant (NSS 96hr Salt Spray, Min. Grade9).

BS EN 12182:2012 - Suitable For Users Up To 100kg When Fitted To A Solid Wall. Tested To 150kg.

CARE AND MAINTENANCE

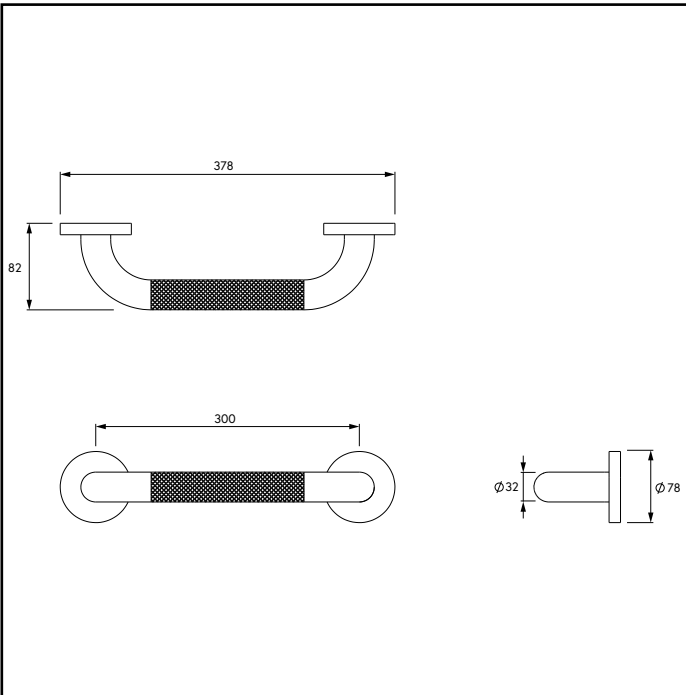
Clean Surfaces With A Damp Cloth and Wipe Dry Using A Soft Cloth.

Do Not Use Chemical or Abrasive Cleaners As These May Damage The Surface Finish.

GUARANTEE

Consumer Statutory Rights Apply.

12 Year Manufacturing Guarantee.



Printed material, designs and packaging are protected by copyright and design rights.