

# QM584441MTL TOILET ROLL HOLDER WITH LID

# Metlex

PROFESSIONAL BATHROOM AND  
WASHROOM ACCESSORIES



## MATERIAL

Brass, Stainless Steel & Diecast Construct

## FINISH / COLOUR

Chrome Plated

## FREQUENTLY USED APPLICATIONS

Commercial Washrooms  
Hotels  
Domestic Dwellings  
Care Homes

## FEATURES

Stores One Toilet Roll.  
Fits Most Existing Screw Holes.  
All Fixings Supplied.

## PERFORMANCE STANDARDS

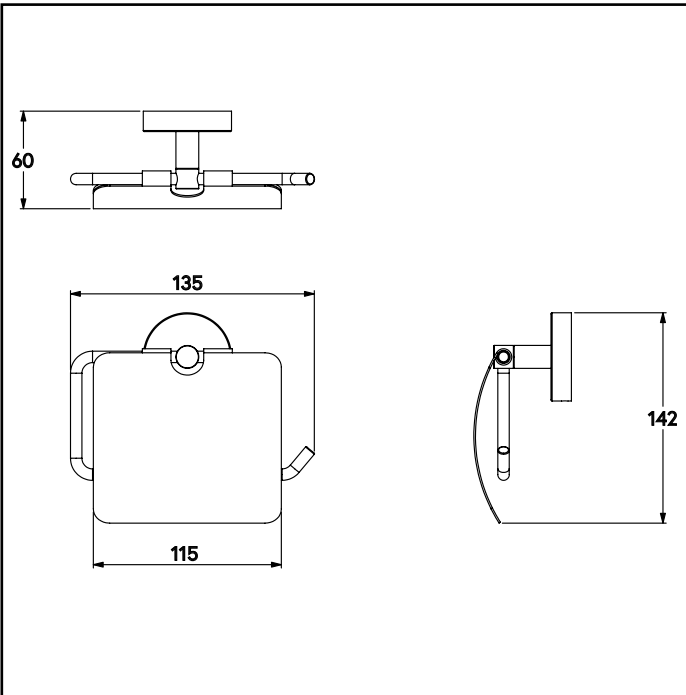
Meets Performance Requirements Of Service  
Condition 2.  
BS EN ISO 9221:2017 - Corrosion Resistant  
(NSS 48hr Salt Spray, Min. Grade9)

## CARE AND MAINTENANCE

Clean Surfaces With A Damp Cloth and Wipe Dry  
Using A Soft Cloth.  
Do Not Use Chemical or Abrasive Cleaners As  
These May Damage The Surface Finish.

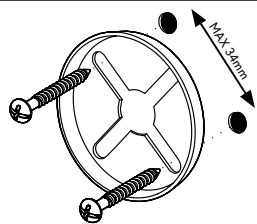
## GUARANTEE

Consumer Statutory Rights Apply.  
12 Year Manufacturing Guarantee.



## UNIQUE X PLATE SYSTEM

Fits most existing screw holes.  
Max screw hole centres are 34mm.



Printed material, designs and packaging are protected by copyright and design rights.