

Carina
AP501341MTL
STAINLESS STEEL ANGLED GRAB RAIL

Metlex

PROFESSIONAL BATHROOM AND
WASHROOM ACCESSORIES



MATERIAL

Stainless Steel Construct

FINISH / COLOUR

Chrome Plated

FREQUENTLY USED APPLICATIONS

Commercial Washrooms
Hotels
Domestic Dwellings
Care Homes

FEATURES

Classic Design.
Provides Confidence and Stability.
32mm Diameter For Secure Grip.
Concealed Fixings.
Fixings Not Included.

PERFORMANCE STANDARDS

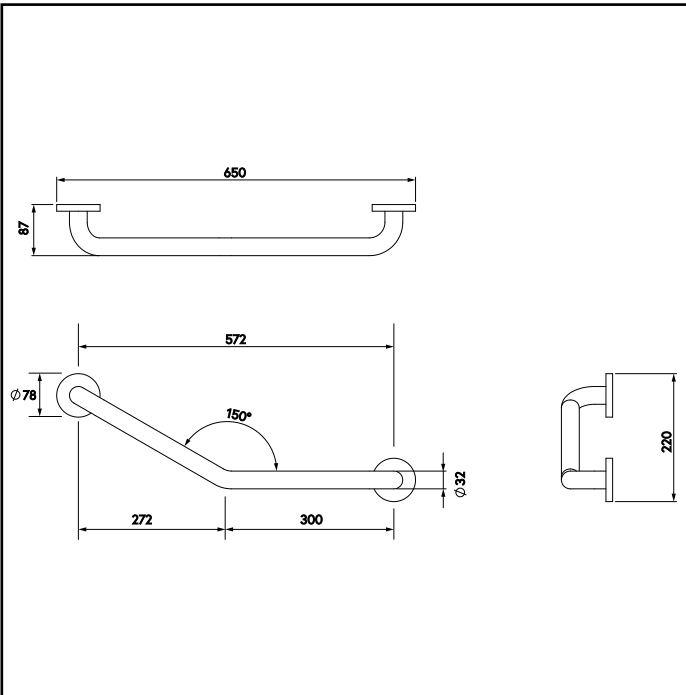
Meets Performance Requirements Of Service Condition 3.
BS EN ISO 9221:2017 - Corrosion Resistant (NSS 96hr Salt Spray, Min. Grade9).
BS EN 12182:2012 - Suitable For Users Up To 100kg When Fitted To A Solid Wall. Tested To 150kg.

CARE AND MAINTENANCE

Clean Surfaces With A Damp Cloth and Wipe Dry Using A Soft Cloth.
Do Not Use Chemical or Abrasive Cleaners As These May Damage The Surface Finish.

GUARANTEE

Consumer Statutory Rights Apply.
12 Year Manufacturing Guarantee.



Printed material, designs and packaging are protected by copyright and design rights.